

CPVC, Kynar® & Polypropylene Transfer Pump



AVAILABLE:

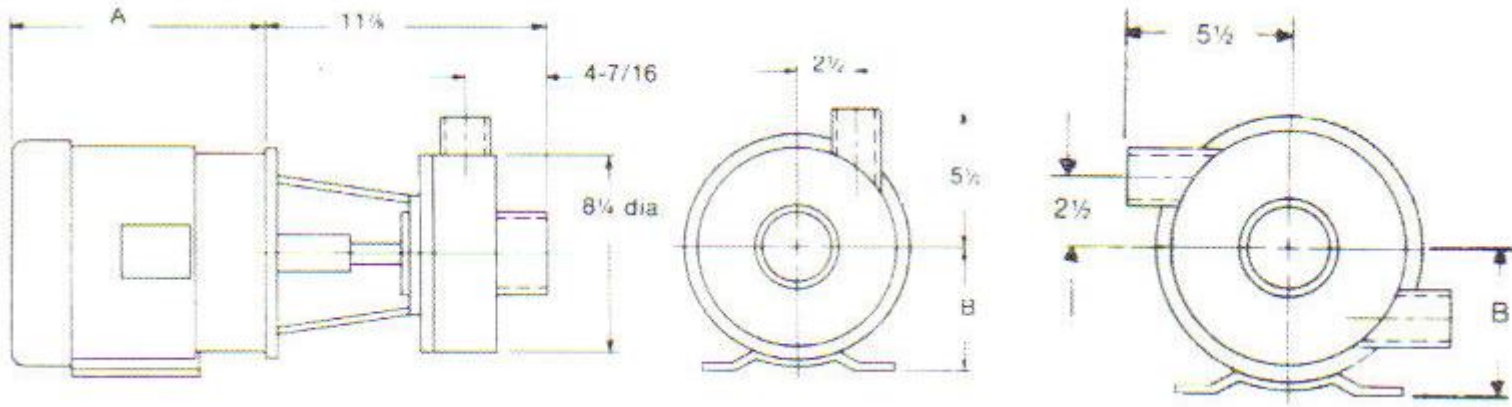
- Water Regulating Kit
- Alternative Seal Materials
- Special Duty Motors
- Custom increased PSIG output available through impeller blade enhancement
- Close Coupled
- Outboard Mounted

CORROSION PROOF FEATURES

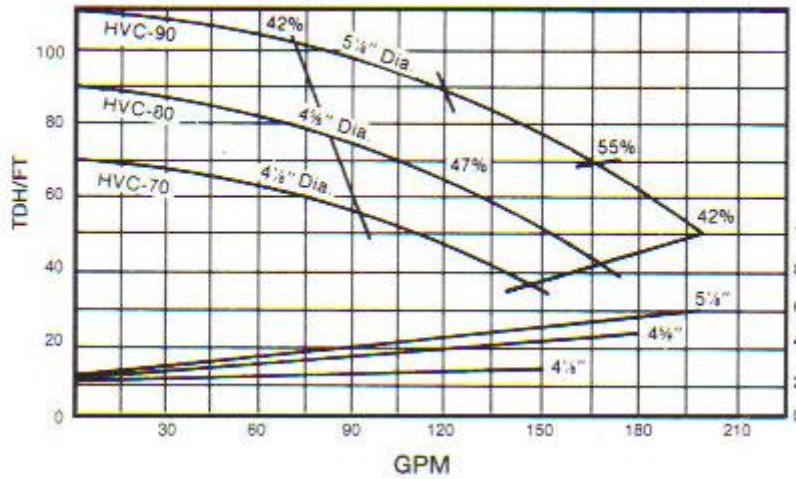
Maximum protection against corrosion and contamination is afforded by the all CPVC/Kynar/Polypropylene construction of these CAMAC TRANSFER PUMPS. Corrosive acids, strong alkaline solutions and plating solutions never come in contact with metal - only the corrosion proof CPVC, Kynar, or Polypropylene which provides good resistance to most acids and caustics at continuous service temperatures often up to 300° F with Kynar, 200° F with CPVC and 180° F with Polypropylene. (Chemical make-up may effect temperature ratings - consult factory).

DESIGN OF THE UNIT IS AS FOLLOWS:

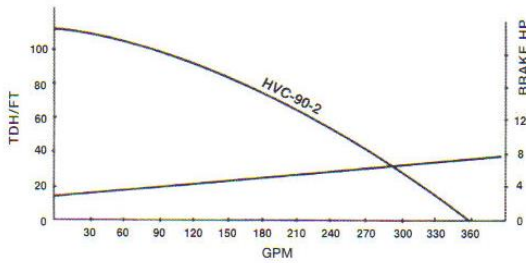
- All non-metallic wetted parts in contact with solution constructed of CPVC, Kynar or Polypropylene.
- Seals - Internal non-metallic bellows or double water flushed.
- O-rings to be Viton.
- Motor TEFC Heavy Duty-Other motors available upon request.
- Semi-opened impeller with curved vanes to provide greater pumping efficiency.
- True venturi type volute case.
- Heavy duty balanced shaft, Stainless Steel.
- Heavy Duty volute designed to prevent deflection when pump is running.



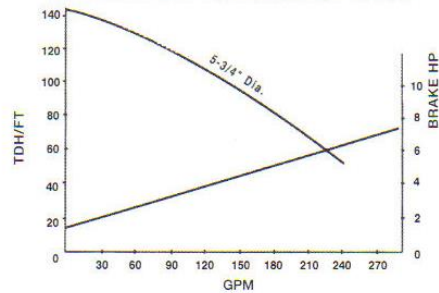
2 x 3 PUMP PERFORMANCE CURVE



2 x 2 x 3 PUMP PERFORMANCE CURVE



2 x 3 x 5.75 PUMP PERFORMANCE CURVE



Pump Model	H.P.	RPM	Suction	Discharge	A. Dim.	B. Dim.
HVC-40	2	3500	2"	1-1/4"	12"	3-3/8"
HVC-50	3	3500	2"	1-1/4"	12"	3-3/8"
HVC-60	5	3500	2"	1-1/4"	12-1/2"	4-3/8"
HVC-70	3	3500	3"	2"	12-1/2"	4-3/8"
HVC-80	5	3500	3"	2"	12-1/2"	4-3/8"
HVC-90	7.5	3500	3"	2"	14"	5-1/8"
HVC-90-2	7.5	3500	3"	2" (X2)	14"	5-1/8"
HVC-90-5.75	7.5	3500	3"	2"	14"	5-1/8"

NOTE: Pump suction & discharge will be supplied with threaded connections, socket connections available upon request.